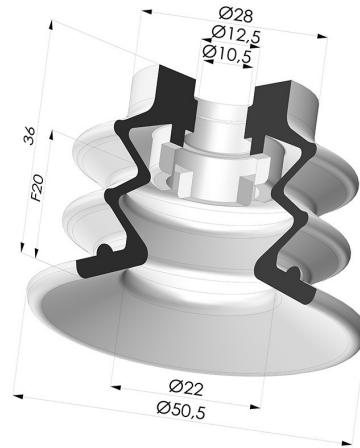


TECHNICAL INFORMATION

Arrow :	20 mm
Category :	With bellows
Contact lip diameter :	50 mm
Height (in mm) :	36
Horizontal force :	78.5 N
inner barrel diameter :	6.5mm
Number of bellows :	2.5 Bellows
Range :	Suction cup
Series :	96C
Shape :	2.5 Bellows
Vertical force :	39.5 N



Variants:



Variant reference:

96C 50PU A

- Color: Green / Yellow
- Matter: Polyurethane
- Shore Hardness: SH60 / SH30

Related products:



Separable Male Fitting 1/4G

Product reference:
9G14-2



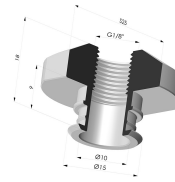
Separable Male Fitting 1/4G - with Filter

Product reference:
9G14-2-F



Separable Male Fitting 1/4G - with Spray Nozzle

Product reference:
9G14-2-GIC



Separable Female Fitting 1/8G

Product reference:
9G18-2



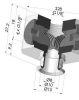
Separable Female Fitting 1/8G - with Filter

Product reference:
9G18-2-F



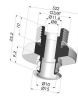
Separable Female Fitting 1/8G - with Spray Nozzle

Product reference:
9G18-2-GIC



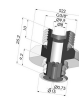
Separable Female Fitting 1/8G - with 5 Outputs

Product reference:
9G18-3



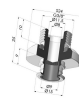
Separable Male Fitting 3/8G

Product reference:
9G38-2



Separable Male Fitting 3/8G - with Spray Nozzle

Product reference:
9G38-2-GIC



Separable Male Fitting 3/8G - with Filter

Product reference:
9GM38-4-F



Separable Female Fitting 3/8G - with Filter

Product reference:
9GF38-4-F