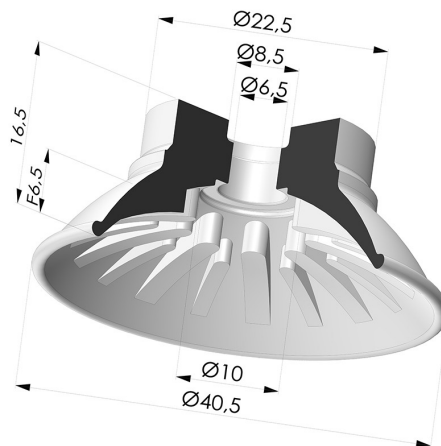


TECHNICAL INFORMATION

Arrow :	6.5 mm
Category :	Plates
Contact lip diameter :	40.5 mm
Height (in mm) :	16.5
Horizontal force :	54 N
inner barrel diameter :	6.5 mm
Matter :	Polyurethane
Number of bellows :	0.5 Bellows
Range :	Suction cup
Series :	99
Shape :	Plate
Vertical force :	27 N



Variants:



Variant reference:

99A 40PU A

- Color: Red
- Matter: Polyurethane
- Shore Hardness: SH40



Variant reference:

99B 40PU A

- Color: Green
- Matter: Polyurethane
- Shore Hardness: SH60

Related products:



Separable Male Fitting 1/4G

Product reference:
9M14-2



Separable Male Fitting 1/4G - with Filter

Product reference:
9M14-2-F



Separable Male Fitting 1/4G - with Spray Nozzle

Product reference:
9M14-2-GIC



Separable Female Fitting 1/8G

Product reference:
9M18-2



Separable Female Fitting 1/8G - with Filter

Product reference:
9M18-2-F



Separable Female Fitting 1/8G - with Spray Nozzle

Product reference:
9M18-2-GIC



Separable Female Fitting 1/8G - with 5 Outputs

Product reference:
9M18-3



Separable Male Fitting 3/8G

Product reference:
9M38-2



Separable Male Fitting 3/8G - with Filter

Product reference:
9M38-2-F



Separable Male Fitting 3/8G - with Spray Nozzle

Product reference:
9M38-2-GIC



Separable Male Fitting 1/4G - with Filter

Product reference:
9MM14-4-F



Separable Female Fitting 1/4G - with Filter

Product reference:
9MF14-4-F