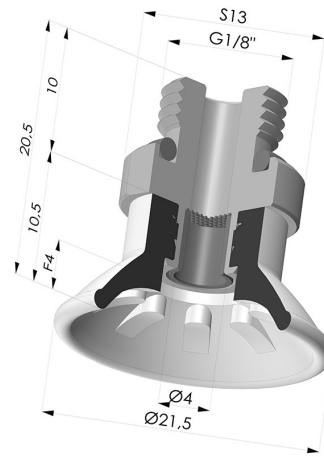


TECHNICAL INFORMATION

Arrow :	4mm
Category :	Plates
Contact lip diameter :	21.5
Height (in mm) :	20.5
Horizontal force :	14 N
inner barrel diameter :	G1/8
Matter :	Polyurethane
Number of bellows :	0.5 Bellows
Range :	Suction cup
Series :	99
Shape :	Plate
Vertical force :	7 N



Variants:



Variant reference:

99A 20PU M18D-4-F

- Color: Red
- Matter: Polyurethane
- Shore Hardness: SH40



Variant reference:

99B 20PU M18D-4-F

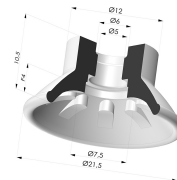
- Color: Green
- Matter: Polyurethane
- Shore Hardness: SH60

Related products:



Separable Male Fitting 1/8G - with Filter

Product reference: 9PM18-4-F



Flat suction cup series 99, Ø 21.5 mm

Product reference: 99- 20PU A