

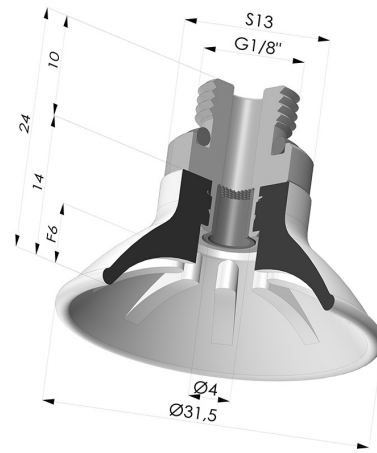
Code : **99- 30PU M18D-**

4-F

Flat suction cup series 99, Ø 31.5 mm with fitting male G1/8" and filter

TECHNICAL INFORMATION

Arrow :	6 mm
Category :	Plates
Contact lip diameter :	31.5
Height (in mm) :	24
Horizontal force :	32 N
inner barrel diameter :	G1/8
Matter :	Polyurethane
Number of bellows :	0.5 Bellows
Range :	Suction cup
Series :	99
Shape :	Plate
Vertical force :	16 N



Variants:



Variant reference:
99A 30PU M18D-4-F

- Color: Red
- Matter: Polyurethane
- Shore Hardness: SH40



Variant reference:
99B 30PU M18D-4-F

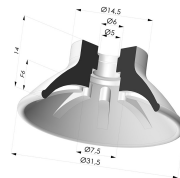
- Color: Green
- Matter: Polyurethane
- Shore Hardness: SH60

Related products:



Separable Male Fitting 1/8G - with Filter

Product reference: 9PM18-4-F



Flat suction cup series 99, Ø 31.5 mm

Product reference: 99- 30PU A