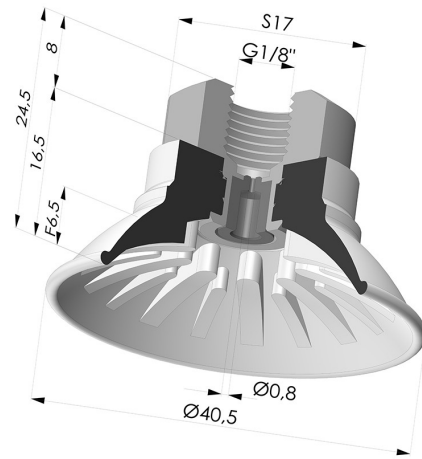


TECHNICAL INFORMATION

Arrow :	6.5 mm
Category :	Plates
Contact lip diameter :	40.5
Height (in mm) :	24.5
Horizontal force :	54 N
inner barrel diameter :	G1/8
Number of bellows :	0.5 Bellows
Range :	Suction cup
Series :	99
Shape :	Plate
Vertical force :	27 N



Variants:



Variant reference:
99A 40PU 18D-2-GIC

- Color: Red
- Matter: Polyurethane
- Shore Hardness: SH40



Variant reference:
99B 40PU 18D-2-GIC

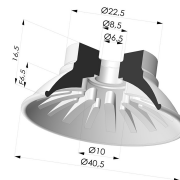
- Color: Green
- Matter: Polyurethane
- Shore Hardness: SH60

Related products:



Separable Female Fitting 1/8G - with Spray Nozzle

Product reference: 9M18-2-GIC



Flat suction cup series 99, Ø 40.5 mm

Product reference: 99- 40PU A