

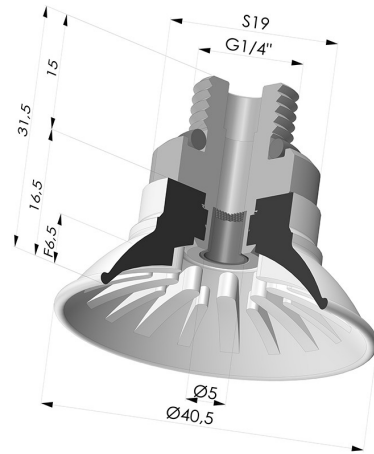
Code : **99- 40PU M14D-**

4-F

Flat suction cup series 99, Ø 40.5 mm with fitting male G1/4" and filter

TECHNICAL INFORMATION

Arrow :	6.5 mm
Category :	Plates
Contact lip diameter :	40.5 mm
Height (in mm) :	31.5
Horizontal force :	54 N
inner barrel diameter :	Male G1/4"
Number of bellows :	0.5 Bellows
Range :	Suction cup
Series :	99
Shape :	Plate
Vertical force :	27 N



Variants:



Variant reference:
99A 40PU M14D-4-F

- Color: Red
- Matter: Polyurethane
- Shore Hardness: SH40



Variant reference:
99B 40PU M14D-4-F

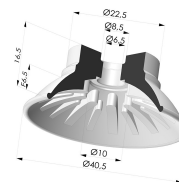
- Color: Green
- Matter: Polyurethane
- Shore Hardness: SH60

Related products:



Separable Male Fitting 1/4G - with Filter

Product reference: 9MM14-4-F



Flat suction cup series 99, Ø 40.5 mm

Product reference: 99- 40PU A