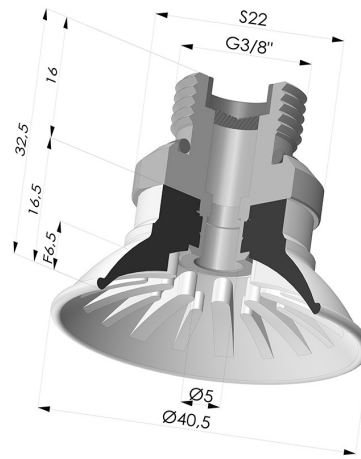


TECHNICAL INFORMATION

Arrow :	6.5 mm
Category :	Plates
Contact lip diameter :	40.5
Height (in mm) :	32.5
Horizontal force :	54 N
inner barrel diameter :	G3/8
Number of bellows :	0.5 Bellows
Range :	Suction cup
Series :	99
Shape :	Plate
Vertical force :	27 N



Variants:



- Variant reference:
99A 40PU 38D-2-F
- Color: Red
 - Matter: Polyurethane
 - Shore Hardness: SH40



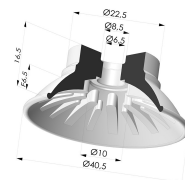
- Variant reference:
99B 40PU 38D-2-F
- Color: Green
 - Matter: Polyurethane
 - Shore Hardness: SH60

Related products:



Separable Male Fitting 3/8G - with Filter

Product reference: 9M38-2-F



Flat suction cup series 99, Ø 40.5 mm

Product reference: 99- 40PU A