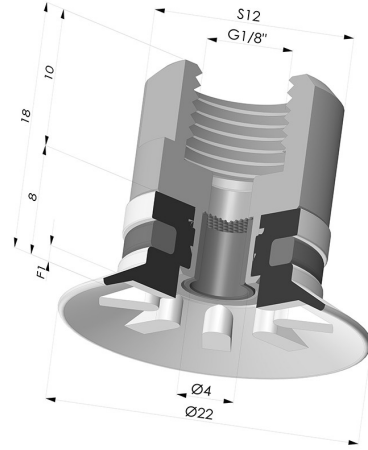


**TECHNICAL INFORMATION**

<b>Arrow :</b>	1 mm
<b>Category :</b>	Plates
<b>Contact lip diameter :</b>	22
<b>Height (in mm) :</b>	18
<b>Horizontal force :</b>	16 N
<b>inner barrel diameter :</b>	G1/8
<b>Number of bellows :</b>	0.5 Bellows
<b>Range :</b>	Suction cup
<b>Series :</b>	90
<b>Shape :</b>	Plate
<b>Vertical force :</b>	8 N

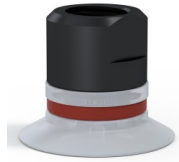


**Variants:**



Variant reference:  
**90 20SL F18D-4-F**

- Color: Red food-grade CE certification
- Matter: Silicone
- Shore Hardness: SH60



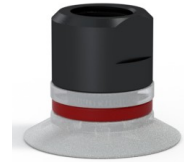
Variant reference:  
**90 20SLT F18D-4-F**

- Color: Translucent
- CE food certified
- Matter: Silicone
- Shore Hardness: SH60



Variant reference:  
**90 20NI F18D-4-F**

- Color: Black
- Matter: Nitrile
- Shore Hardness: SH50



Variant reference:  
**90 20TPU F18D-4-F**

- Color: Translucent
- Matter: Thermoplastic
- Shore Hardness: SH70

**Related products:**

**Flat Suction Cup Series 90, Ø 20 mm**  
 Product reference: 90 20-- A

**Separable Female Fitting 1/8G - with Filter**  
 Product reference: 9PF18-4-F