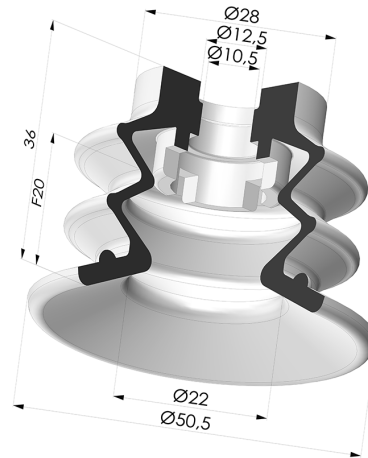


TECHNICAL INFORMATION

Arrow :	20 mm
Category :	With bellows
Contact lip diameter :	50 mm
Height (in mm) :	36
Horizontal force :	78.5 N
inner barrel diameter :	10.5mm
Number of bellows :	2.5 Bellows
Range :	Suction cup
Series :	96B
Shape :	2.5 Bellows
Vertical force :	39 N



Variants:



Variant reference:

96B 50PU A

- Color: Green
- Matter: Polyurethane
- Shore Hardness: SH60

Related products:



Separable Male Fitting 1/4G

Product reference: 9G14-2



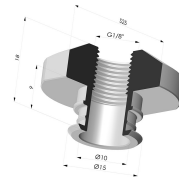
Separable Male Fitting 1/4G - with Filter

Product reference: 9G14-2-F



Separable Male Fitting 1/4G - with Spray Nozzle

Product reference: 9G14-2-GIC



Separable Female Fitting 1/8G

Product reference: 9G18-2



Separable Female Fitting 1/8G - with Filter

Product reference: 9G18-2-F



Separable Female Fitting 1/8G - with Spray Nozzle

Product reference: 9G18-2-GIC



Separable Female Fitting 1/8G - with 5 Outputs

Product reference: 9G18-3



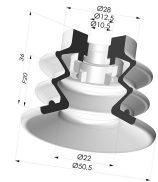
Separable Male Fitting 3/8G

Product reference: 9G38-2



Separable Male Fitting 3/8G - with Spray Nozzle

Product reference: 9G38-2-GIC



Bellows Suction Cup 2.5 folds Series 96C, Ø 50 mm

Product reference: 96C 50-- A



Separable Male Fitting 3/8G - with Filter

Product reference: 9GM38-4-F



Separable Female Fitting 3/8G - with Filter

Product reference: 9GF38-4-F