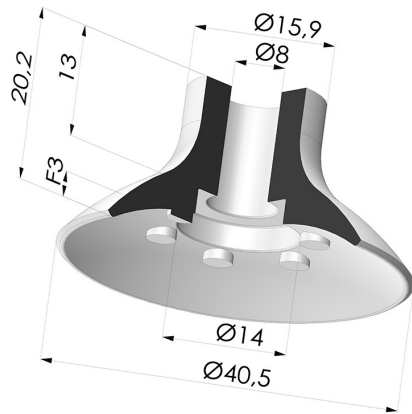


**TECHNICAL INFORMATION**

<b>Arrow :</b>	3 mm
<b>Category :</b>	Plates
<b>Contact lip diameter :</b>	40.5 mm
<b>Height (in mm) :</b>	20.2
<b>Horizontal force :</b>	54.01 N
<b>inner barrel diameter :</b>	8 mm
<b>Mass :</b>	14 g
<b>Number of bellows :</b>	0.5 Bellows
<b>Range :</b>	Suction cup
<b>Series :</b>	VPC
<b>Shape :</b>	Plate
<b>Vertical force :</b>	27.01 N
<b>Volume :</b>	2.97 cm <sup>3</sup>



**Variants:**



Variant reference:

**VPC 40SLT A**

- Color: Translucent
- CE food certified
- Matter: Silicone
- Shore Hardness: SH60



Variant reference:

**VPC 40MNT A**

- Color: Bordeaux
- Matter: Non-staining material for plastics processing
- Shore Hardness: SH60



Variant reference:

**VPC 40NI A**

- Color: Black
- Matter: Nitrile
- Shore Hardness: SH50

**Related products:**



**Separable Female Fitting G1/4"**

Product reference: D



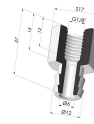
**Separable Male Fitting G1/4"**

Product reference: E



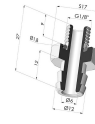
**Adaptor - Female 1/8G - Female M6**

Product reference: F18F6



**Separable Female Fitting G1/8"**

Product reference: H



**Separable Male Fitting G1/8"**

Product reference: I



**Crimped Female Fitting G1/4"**

Product reference: L



**Crimped Male Fitting G1/4"**

Product reference: M



**Adaptor - Male 1/4G - Female M6**

Product reference: M14F6



**Adaptor - Male 1/8G - Female M6**

Product reference: M18F6



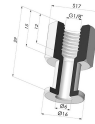
**Screw M5 - Head Ø 14 mm - L 20.5 mm**

Product reference: M5



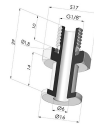
**Screw M6 - Head Ø 14 mm - L 20.5 mm**

Product reference: M6



**Crimped Female Fitting G1/8"**

Product reference: R



**Crimped Male Fitting G1/8"**

Product reference: S



**Screw M8 - Head Ø 14 mm - L 20 mm**

Product reference: M8T14L20.5