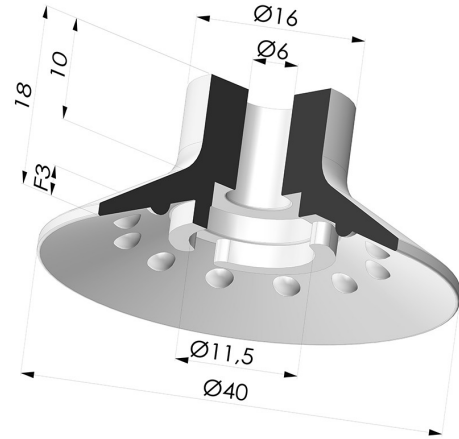


TECHNICAL INFORMATION

| | |
|--------------------------------|-------------|
| Arrow : | 3 mm |
| Category : | Plates |
| Contact lip diameter : | 40 mm |
| Height (in mm) : | 17.7 |
| Horizontal force : | 55 N |
| inner barrel diameter : | 6.1 mm |
| Number of bellows : | 0.5 Bellows |
| Range : | Suction cup |
| Series : | 7SB |
| Shape : | Plate |
| Vertical force : | 27.5 N |



Variants:



- Variant reference:
7SB 40SLT A
- Color: Translucent
 - CE food certified
 - Matter: Silicone
 - Shore Hardness: SH60



- Variant reference:
7SB 40TPUB A
- Color: Blue
 - Matter: Thermoplastic
 - Shore Hardness: SH70



- Variant reference:
7SB 40NI A
- Color: Black
 - Matter: Nitrile
 - Shore Hardness: SH50

Related products:



**Adaptor - Female
 1/4G - Female M6**

Product reference: ADA
 G1/4F M6F



**Adaptor - Male 1/4G
 - Female M6**

Product reference: ADA
 G1/4M M6F



**Adaptor - Female
 1/8G - Female M6**

Product reference: ADA
 G1/8F M6F



**Adaptor - Male 1/8G
 - Female M6**

Product reference: ADA
 G1/8M M6F



**Screw M6 - Head Ø
 11 mm - L 17 mm**

Product reference: SCR
 20B M6M