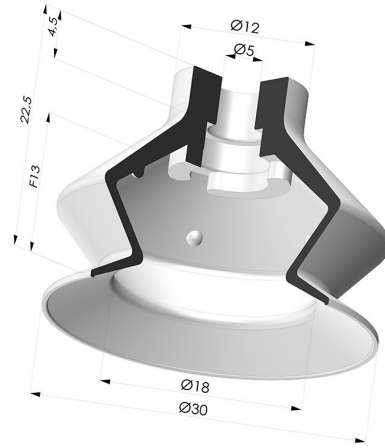


TECHNICAL INFORMATION

- Arrow :** 13 mm
Category : With bellows
Contact lip diameter : 30 mm
Height (in mm) : 22.5
Horizontal force : 30 N
inner barrel diameter : 5mm
Number of bellows : 1.5 Bellows
Range : Suction cup
Series : 8SB
Shape : 1.5 Bellows
Vertical force : 15 N



Variants:



Variant reference:
8SB 30SLT A

- Color: Translucent
- CE food certified
- Matter: Silicone
- Shore Hardness: SH60



Variant reference:
8SB 30TPUB A

- Color: Blue
- Matter: Thermoplastic
- Shore Hardness: SH70



Variant reference:
8SB 30NI A

- Color: Black
- Matter: Nitrile
- Shore Hardness: SH50

Related products:



**Adaptor - Female
 1/4G - Female M6**

Product reference: ADA
 G1/4F M6F



**Adaptor - Male 1/4G
 - Female M6**

Product reference: ADA
 G1/4M M6F



**Adaptor - Female
 1/8G - Female M6**

Product reference: ADA
 G1/8F M6F



**Adaptor - Male 1/8G
 - Female M6**

Product reference: ADA
 G1/8M M6F



**Screw M6 - Head Ø
 8.5 mm - L 14 mm**

Product reference:
 M6T8L14



**Screw M5 - Head Ø
 8 mm - L 9 mm**

Product reference: SCR
 15 M5M