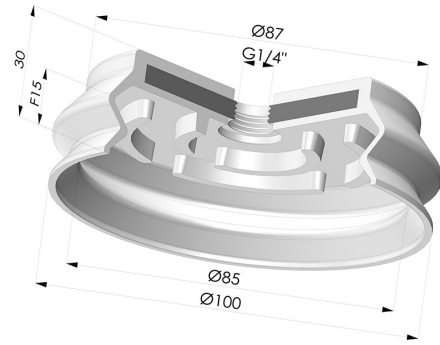


**TECHNICAL INFORMATION**

|                                |              |
|--------------------------------|--------------|
| <b>Arrow :</b>                 | 15 mm        |
| <b>Category :</b>              | With bellows |
| <b>Contact lip diameter :</b>  | 100 mm       |
| <b>Height (in mm) :</b>        | 30           |
| <b>Horizontal force :</b>      | 331 N        |
| <b>inner barrel diameter :</b> | G1/4         |
| <b>Number of bellows :</b>     | 1.5 Bellows  |
| <b>Range :</b>                 | Suction cup  |
| <b>Series :</b>                | 8SB          |
| <b>Shape :</b>                 | 1.5 Bellows  |
| <b>Vertical force :</b>        | 165.5 N      |



**Variants:**



Variant reference:

**8SB 100SLT A**

- Color: Translucent
- CE food certified
- Matter: Silicone
- Shore Hardness: SH60



Variant reference:

**8SB 100NI A**

- Color: Black
- Matter: Nitrile
- Shore Hardness: SH50