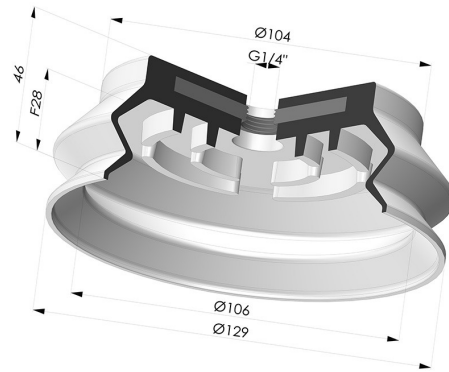


TECHNICAL INFORMATION

Arrow :	28 mm
Category :	With bellows
Contact lip diameter :	125 mm
Height (in mm) :	46
Horizontal force :	560 N
inner barrel diameter :	G1/4
Number of bellows :	1.5 Bellows
Range :	Suction cup
Series :	8SB
Shape :	1.5 Bellows
Vertical force :	280 N



Variants:



Variant reference:

8SB 125SLT A

- Color: Translucent
- CE food certified
- Matter: Silicone
- Shore Hardness: SH60



Variant reference:

8SB 125NI A

- Color: Black
- Matter: Nitrile
- Shore Hardness: SH50