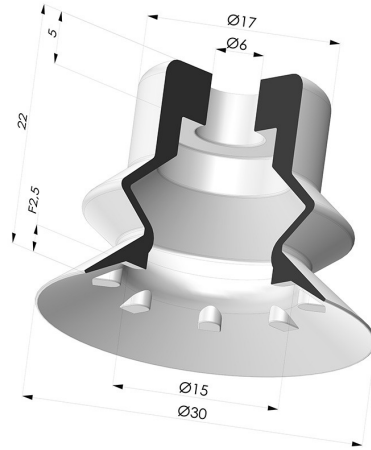


TECHNICAL INFORMATION

Arrow :	8 mm
Category :	With bellows
Contact lip diameter :	30 mm
Height (in mm) :	22
Horizontal force :	32 N
inner barrel diameter :	6mm
Number of bellows :	1.5 Bellows
Range :	Suction cup
Series :	81SB
Shape :	1.5 Bellows
Vertical force :	16 N



Variants:



- Variant reference:
81SB 30SLT A
- Color: Translucent
 - CE food certified
 - Matter: Silicone
 - Shore Hardness: SH60



- Variant reference:
81SB 30PU A
- Color: Blue
 - Matter: Polyurethane
 - Shore Hardness: SH60



- Variant reference:
81SB 30NI A
- Color: Black
 - Matter: Nitrile
 - Shore Hardness: SH50

Related products:



**Adaptor - Female
 1/4G - Female M6**

Product reference: ADA
 G1/4F M6F



**Adaptor - Male 1/4G
 - Female M6**

Product reference: ADA
 G1/4M M6F



**Adaptor - Female
 1/8G - Female M6**

Product reference: ADA
 G1/8F M6F



**Adaptor - Male 1/8G
 - Female M6**

Product reference: ADA
 G1/8M M6F



**Adaptor - Female
 G1/4" - Female M6**

Product reference:
 F14F6



**Adaptor - Male 1/4G
 - Female M6**

Product reference:
 M14F6



**Adaptor - Male 1/8G
 - Female M6**

Product reference:
 M18F6



**Screw M6 - Head Ø
 12 mm - L 13 mm**

Product reference:
 M6T12L13