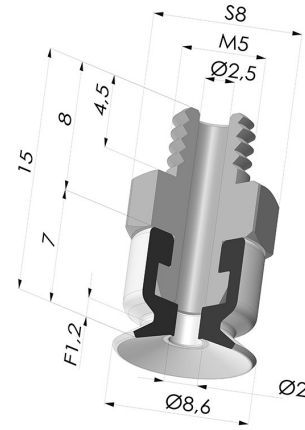


**TECHNICAL INFORMATION**

<b>Arrow :</b>	1.2 mm
<b>Category :</b>	Plates
<b>Contact lip diameter :</b>	8.6 mm
<b>Height (in mm) :</b>	15
<b>Horizontal force :</b>	2.6 N
<b>inner barrel diameter :</b>	M5
<b>Number of bellows :</b>	0.5 Bellows
<b>Range :</b>	Suction cup
<b>Series :</b>	PFTM
<b>Shape :</b>	Plate
<b>Vertical force :</b>	1.3 N



**Variants:**



Variant reference:  
**PFTM 8ANI M5M**

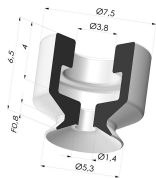
- Color: Black
- Matter: Nitrile
- Shore Hardness: SH50



Variant reference:  
**PFTM 8ASLT M5M**

- Color: Translucent
- CE food certified
- Matter: Silicone
- Shore Hardness: SH60

**Related products:**



**Flat suction cup series PFG Ø 5.3 mm**

Product reference: PFG 05A-- A



**Separable Male Fitting M5**

Product reference: FTM 5A M5