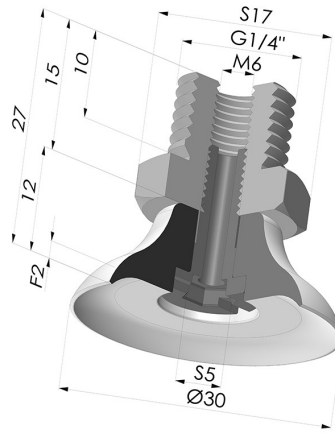


TECHNICAL INFORMATION

Arrow :	2 mm
Category :	Plates
Contact lip diameter :	30 mm
Height (in mm) :	27
Horizontal force :	32 N
inner barrel diameter :	Male G1/4"
Number of bellows :	0.5 Bellows
Range :	Suction cup
Series :	PFTM
Shape :	Plate
Top diameter :	Male G1/4"
Vertical force :	16 N



Variants:



Variant reference:

PFTM 30NI 1/4

- Color: Black
- Matter: Nitrile
- Shore Hardness: SH50



Variant reference:

PFTM 30SLT 1/4

- Color: Translucent
- CE food certified
- Matter: Silicone
- Shore Hardness: SH60