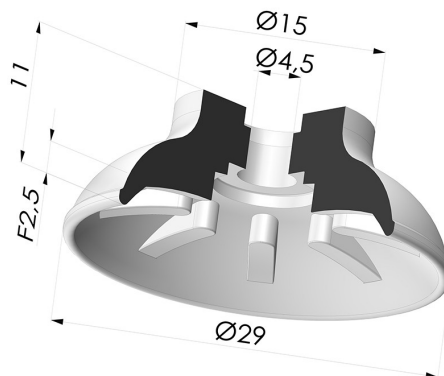


**TECHNICAL INFORMATION**

<b>Arrow :</b>	2.5 mm
<b>Category :</b>	Plates
<b>Contact lip diameter :</b>	29 mm
<b>Height (in mm) :</b>	11
<b>Horizontal force :</b>	28 N
<b>inner barrel diameter :</b>	4.5 mm
<b>Number of bellows :</b>	0.5 Bellows
<b>Range :</b>	Suction cup
<b>Series :</b>	7
<b>Shape :</b>	Plate
<b>Top diameter :</b>	5 mm
<b>Vertical force :</b>	14 N



**Variants:**



Variant reference:

**71 29CN A**

- Color: Brown FDA food certified
  - Matter: Natural rubber
  - Shore Hardness: SH40



Variant reference:

**71 29VI A**

- Color: Blue
  - Matter: Vinyl
- Shore Hardness: SH50

**Related products:**



**Adaptor - Female 1/8G - Female M5**

Product reference: F18F5



**Adaptor - Male 1/8G - Female M5**

Product reference: M18F5



**Screw M5 - Head Ø 8 mm - L 9 mm**

Product reference: M5M15