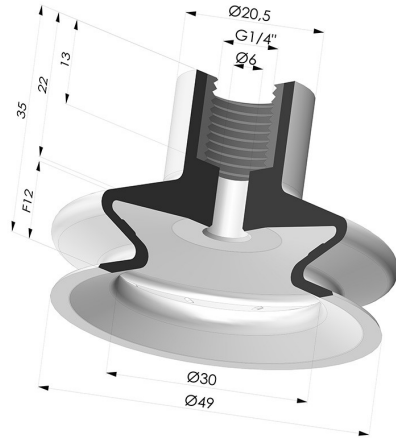


**TECHNICAL INFORMATION**

<b>Arrow :</b>	12 mm
<b>Category :</b>	With bellows
<b>Contact lip diameter :</b>	49 mm
<b>Height (in mm) :</b>	35
<b>Horizontal force :</b>	68 N
<b>inner barrel diameter :</b>	Female G1/4"
<b>Number of bellows :</b>	1.5 Bellows
<b>Range :</b>	Suction cup
<b>Series :</b>	8A
<b>Shape :</b>	1.5 Bellows
<b>Vertical force :</b>	34 N



**Variants:**



Variant reference:  
**8A 50NI F14**

- Color: Black
- Matter: Nitrile
- Shore Hardness: SH50



Variant reference:  
**8A 50SLT F14**

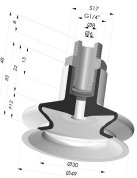
- Color: Translucent
- CE food certified
- Matter: Silicone
- Shore Hardness: SH60



Variant reference:  
**8A 50CN F14**

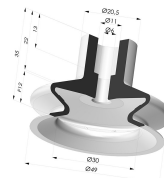
- Color: Brown FDA food certified
- Matter: Natural rubber
- Shore Hardness: SH35

**Related products:**



**1.5 Bellows Suction Cup Series 8A Ø 49MM**

Product reference: 8A 50-- M14



**Bellows Suction Cup 1.5 folds Series 8A, Ø 50 mm**

Product reference: 8A 50-- A