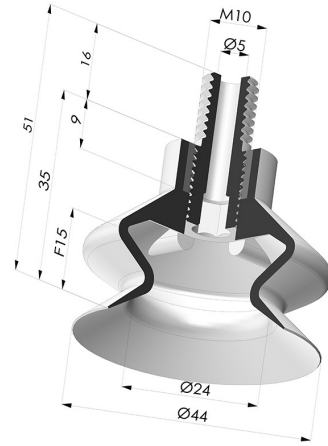


**TECHNICAL INFORMATION**

|                                |              |
|--------------------------------|--------------|
| <b>Arrow :</b>                 | 15mm         |
| <b>Category :</b>              | With bellows |
| <b>Contact lip diameter :</b>  | 44 mm        |
| <b>Height (in mm) :</b>        | 51           |
| <b>Horizontal force :</b>      | 69N          |
| <b>inner barrel diameter :</b> | Male M10     |
| <b>Number of bellows :</b>     | 1.5 Bellows  |
| <b>Outer diameter :</b>        | 44 mm        |
| <b>Range :</b>                 | Suction cup  |
| <b>Series :</b>                | 8A           |
| <b>Shape :</b>                 | 1.5 Bellows  |
| <b>Vertical force :</b>        | 34.5N        |



**Variants:**



Variant reference:  
**8A 44SLT M10**

- Color: Translucent
- CE food certified
- Matter: Silicone
- Shore Hardness: SH60



Variant reference:  
**8A 44NI M10**

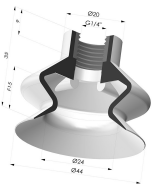
- Color: Black
- Matter: Nitrile
- Shore Hardness: SH50



Variant reference:  
**8A 44CN M10**

- Color: Brown FDA food certified
- Matter: Natural rubber
- Shore Hardness: SH35

**Related products:**



**Bellows Suction Cup 1.5 folds Series 8A, Ø 44 mm**

Product reference: 8A 44-- F14