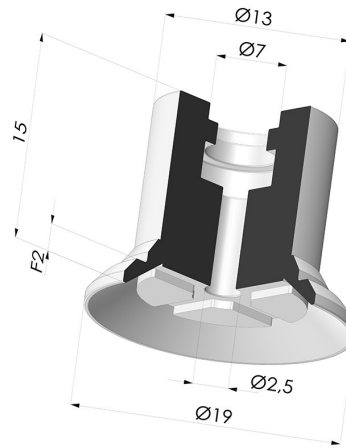


TECHNICAL INFORMATION

Arrow :	2 mm
Category :	Plates
Contact lip diameter :	19 mm
Height (in mm) :	15
Horizontal force :	13 N
inner barrel diameter :	7 mm
Number of bellows :	0.5 Bellows
Outer diameter :	19 mm
Range :	Suction cup
Series :	7
Shape :	Plate
Vertical force :	6.5 N



Variants:



Variant reference:
7A 20STL A SH30

- Color: Translucent
- CE food certified
- Matter: Silicone
- Shore Hardness: SH40



Variant reference:
7A 20STL A SH30

- Color: Translucent
- Matter: Silicone
- Shore Hardness: SH30

Related products:



Separable Male Fitting 1/8G

Product reference: FTM 15 G1/8 PO