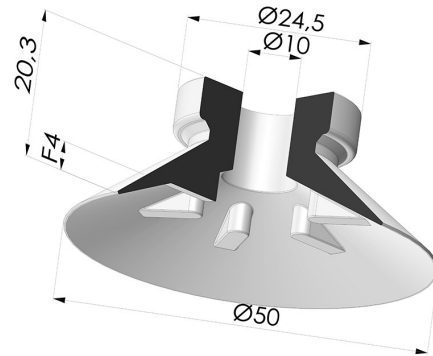


TECHNICAL INFORMATION

| | |
|--------------------------------|-------------|
| Arrow : | 4 mm |
| Category : | Plates |
| Contact lip diameter : | 50 mm |
| Height (in mm) : | 20 |
| Horizontal force : | 88 N |
| inner barrel diameter : | 10 mm |
| Number of bellows : | 0.5 Bellows |
| Outer diameter : | 50 mm |
| Range : | Suction cup |
| Series : | 7 |
| Shape : | Plate |
| Vertical force : | 44 N |



Variants:



Variant reference:

73 50NI A

- Color: Black
- Matter: Nitrile
- Shore Hardness: SH50



Variant reference:

73 50CN A

- Color: Brown FDA food certified
- Matter: Natural rubber
- Shore Hardness: SH35



Variant reference:

73 50SLT A

- Color: Translucent
- CE food certified
- Matter: Silicone
- Shore Hardness: SH60