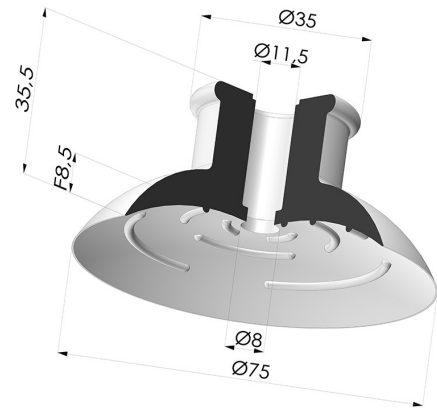


TECHNICAL INFORMATION

| | |
|--------------------------------|-------------|
| Arrow : | 8.5 mm |
| Category : | Plates |
| Contact lip diameter : | 75 mm |
| Height (in mm) : | 35.5 |
| Horizontal force : | 200 N |
| inner barrel diameter : | 11.5 mm |
| Number of bellows : | 0.5 Bellows |
| Outer diameter : | 75 mm |
| Range : | Suction cup |
| Series : | 7 |
| Shape : | Plate |
| Vertical force : | 100 N |



Variants:

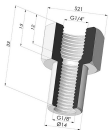


Variant reference:

7 75CN A

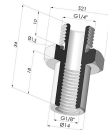
- Color: Brown FDA food certified
 - Matter: Natural rubber
 - Shore Hardness: SH35

Related products:



Crimped Female Fitting G1/4"

Product reference: N



Crimped Male Fitting G1/4"

Product reference: O