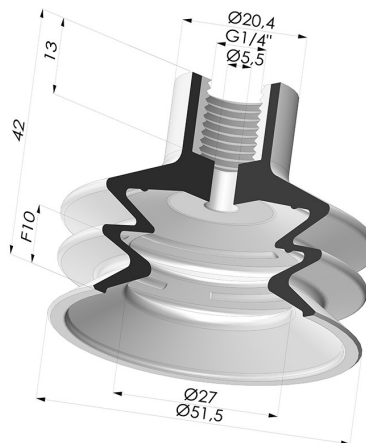


TECHNICAL INFORMATION

Arrow :	10 mm
Category :	With bellows
Contact lip diameter :	51.5 mm
Height (in mm) :	42
Horizontal force :	91 N
inner barrel diameter :	G1/4"
Number of bellows :	2.5 Bellows
Outer diameter :	51.5 mm
Range :	Suction cup
Series :	8
Shape :	2.5 Bellows
Vertical force :	45.5 N



Variants:



Variant reference:
8 53CN F14

- Color: Brown FDA food certified
 - Matter: Natural rubber
 - Shore Hardness: SH35



Variant reference:
8 53SLT F14

- Color: Translucent
 - CE food certified
 - Matter: Silicone
- Shore Hardness: SH60



Variant reference:
8 53NI F14

- Color: Black
 - Matter: Nitrile
- Shore Hardness: SH50