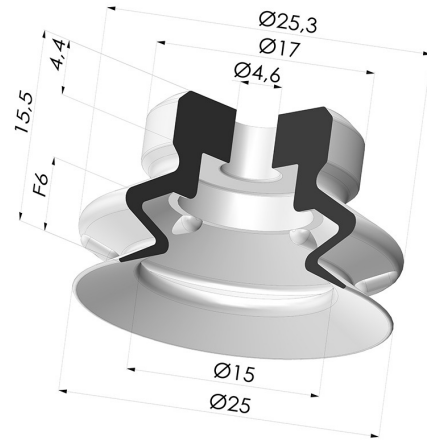


**TECHNICAL INFORMATION**

- Arrow :** 6 mm  
**Category :** With bellows  
**Contact lip diameter :** 25 mm  
**Height (in mm) :** 15.5  
**Horizontal force :** 21.5 N  
**inner barrel diameter :** 5 mm  
**Number of bellows :** 1.5 Bellows  
**Outer diameter :** 25 mm  
**Range :** Suction cup  
**Series :** PJG  
**Shape :** 1.5 Bellows  
**Vertical force :** 11 N



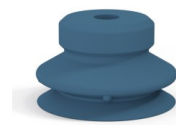
**Variants:**



- Variant reference:  
**PJG 25NI A**
- Color: Black
  - Matter: Nitrile
  - Shore Hardness: SH50



- Variant reference:  
**PJG 25SLT A**
- Color: Translucent
  - CE food certified
  - Matter: Silicone
  - Shore Hardness: SH60



- Variant reference:  
**PJG 25SLDB A SH60**
- Color: Blue food-grade CE certification
  - Matter: Detectable silicone
  - Shore Hardness: SH60

**Related products:**



**Adaptor - Female  
 1/4G - Female M6**

Product reference: ADA  
 G1/4F M6F



**Adaptor - Male 1/4G  
 - Female M6**

Product reference: ADA  
 G1/4M M6F



**Adaptor - Female  
 1/8G - Female M6**

Product reference: ADA  
 G1/8F M6F



**Adaptor - Male 1/8G  
 - Female M6**

Product reference: ADA  
 G1/8M M6F



**Separable Female  
 Fitting 1/4G**

Product reference: FTF  
 20B G1/4



**Separable Female  
 Fitting 1/8G**

Product reference: FTF  
 20B G1/8



**Separable Male  
 Fitting 1/4G**

Product reference: FTM  
 20B G1/4



**Separable Male  
 Fitting 1/8G**

Product reference: FTM  
 20B G1/8



**Screw M6 - Head Ø  
 11 mm - L 17 mm**

Product reference: SCR  
 20B M6M