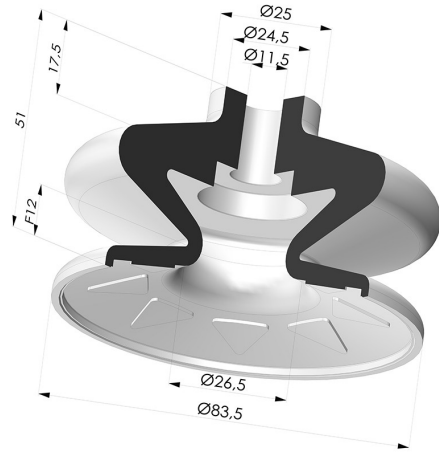


TECHNICAL INFORMATION

Arrow :	12 mm
Category :	With bellows
Contact lip diameter :	83.5 mm
Height (in mm) :	51
Horizontal force :	249 N
inner barrel diameter :	11.5 mm
Mass :	125 g
Number of bellows :	1.5 Bellows
Range :	Suction cup
Series :	1
Shape :	1.5 Bellows
Vertical force :	124.5 N
Volume :	45.64 cm ³



Variants:



Variant reference:

1 85SL A

- Color: Red food-grade CE certification
- Matter: Silicone
- Shore Hardness: SH60



Variant reference:

1 85NI A

- Color: Black
- Matter: Nitrile
- Shore Hardness: SH50

Related products:



**Adaptor - Female
 G1/4" - Female
 G1/8"**

Product reference: 301
 048



**Adaptor - Male 1/4G
 - Female 1/8G**

Product reference: 209
 048



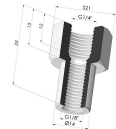
**Screw 1/8G - Head Ø
 22 mm - L 29.5 mm**

Product reference: M18



**Screw G1/8" - Head
 Ø 25 mm - L 21 mm**

Product reference:
 M18T25L21



**Crimped Female
 Fitting G1/4"**

Product reference: N



**Crimped Male
 Fitting G1/4"**

Product reference: O



**Adaptor - Female
 G1/8" - Female
 G1/8"**

Product reference: 300
 088