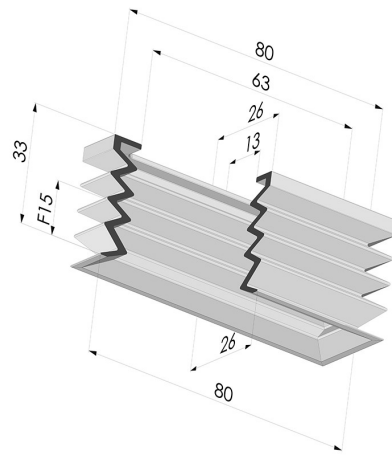


**TECHNICAL INFORMATION**

<b>Arrow :</b>	15 mm
<b>Category :</b>	Rectangular
<b>Height (in mm) :</b>	33
<b>Horizontal force :</b>	92 N
<b>inner barrel diameter :</b>	63x13
<b>Length :</b>	80
<b>Mass :</b>	22.4 g
<b>Number of bellows :</b>	3.5 Bellows
<b>Range :</b>	Suction cup
<b>Series :</b>	4PA
<b>Shape :</b>	Rectangular
<b>Vertical force :</b>	46 N
<b>Volume :</b>	34.43 cm <sup>3</sup>
<b>Width :</b>	26

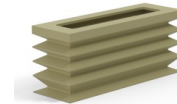


**Variants:**



Variant reference:  
**4PA80 26 33SLB A**

- Color: Blue food-grade CE certification
  - Matter: Silicone
  - Shore Hardness: SH30



Variant reference:  
**4PA80 26 33CN A**

- Color: Brown FDA food certified
  - Matter: Natural rubber
  - Shore Hardness: SH35