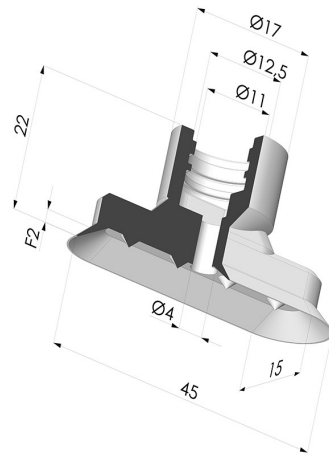
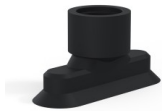


**TECHNICAL INFORMATION**

<b>Arrow :</b>	2 mm
<b>Category :</b>	Oblong
<b>Height (in mm) :</b>	22
<b>Horizontal force :</b>	27.81 N
<b>inner barrel diameter :</b>	11 mm
<b>Length :</b>	45 mm
<b>Mass :</b>	5 g
<b>Number of bellows :</b>	0.5 Bellows
<b>Range :</b>	Suction cup
<b>Series :</b>	4V
<b>Shape :</b>	Oblong
<b>Vertical force :</b>	13.91 N
<b>Volume :</b>	1.4 cm <sup>3</sup>
<b>Width :</b>	15 mm



**Variants:**



Variant reference:  
**4V 45NI A**

- Color: Black
- Matter: Nitrile
- Shore Hardness: SH70



Variant reference:  
**4V 45SLT A**

- Color: Translucent
- CE food certified
- Matter: Silicone
- Shore Hardness: SH60



Variant reference:  
**4V 45MNT A**

- Color: Bordeaux
- Matter: Non-staining material for plastics processing
- Shore Hardness: SH60

**Related products:**



**Separable Female Fitting  
 1/4G**

Product reference: F14C



**Separable Male Fitting  
 G1/4"**

Product reference: M14C



**Clamp Ø 15-18 mm**

Product reference: CO 1518



**Separable Male Fitting  
 G1/8"**

Product reference: M18C