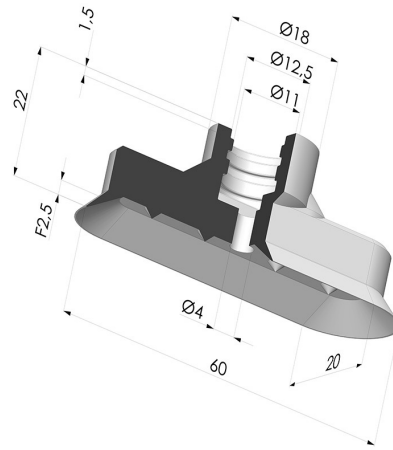
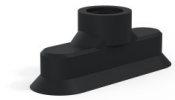


TECHNICAL INFORMATION

| | |
|--------------------------------|----------------------|
| Arrow : | 2.5 mm |
| Category : | Oblong |
| Height (in mm) : | 22 |
| Horizontal force : | 50.66 N |
| inner barrel diameter : | 11 mm |
| Length : | 60 mm |
| Mass : | 9.6 g |
| Number of bellows : | 0.5 Bellows |
| Range : | Suction cup |
| Series : | 4V |
| Shape : | Oblong |
| Vertical force : | 25.33 N |
| Volume : | 2.94 cm ³ |
| Width : | 20 mm |



Variants:



Variant reference:

4V 60NI A

- Color: Black
- Matter: Nitrile
- Shore Hardness: SH70



Variant reference:

4V 60SLT A

- Color: Translucent
- CE food certified
- Matter: Silicone
- Shore Hardness: SH60



Variant reference:

4V 60MNT A

- Color: Bordeaux
- Matter: Non-staining material for plastics processing
- Shore Hardness: SH60

Related products:



**Separable Female Fitting
1/4G**

Product reference: F14C



**Separable Male Fitting
G1/4"**

Product reference: M14C



Clamp Ø 15-18 mm

Product reference: CO 1518



**Separable Male Fitting
G1/8"**

Product reference: M18C