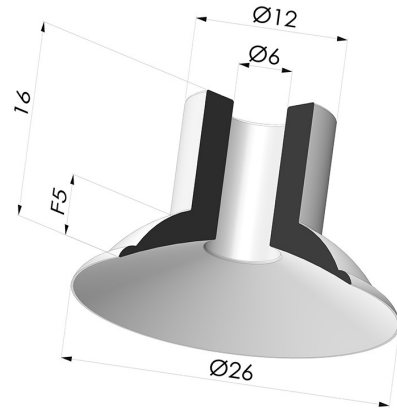


**TECHNICAL INFORMATION**

<b>Arrow :</b>	5mm
<b>Category :</b>	Plates
<b>Contact lip diameter :</b>	26 mm
<b>Height (in mm) :</b>	16
<b>Horizontal force :</b>	24.13 N
<b>inner barrel diameter :</b>	6 mm
<b>Number of bellows :</b>	0.5 Bellows
<b>Range :</b>	Suction cup
<b>Series :</b>	5
<b>Shape :</b>	Plate
<b>Vertical force :</b>	12.06 N



**Variants:**



Variant reference:  
**5 26CN A**

- Color: Brown FDA food certified
- Matter: Natural rubber
- Shore Hardness: SH35



Variant reference:  
**5 26SLB A**

- Color: White
- FDA and CE food-grade certified
- Matter: Silicone
- Shore Hardness: SH40



Variant reference:  
**5 26SLT A**

- Color: Translucent
- CE food certified
- Matter: Silicone
- Shore Hardness: SH60



Variant reference:  
**5 26NI A**

- Color: Black
- Matter: Nitrile
- Shore Hardness: SH50

**Related products:**



**Adaptor - Female  
 G1/4" - Female M6**

Product reference:  
 F14F6



**Separable Female  
 Fitting G1/8"**

Product reference:  
 F18C12L22.5



**Adaptor - Male 1/4G  
 - Female M6**

Product reference:  
 M14F6



**Separable Male  
 Fitting G1/8"**

Product reference:  
 M18C12L22.5



**Screw M6 - Head Ø  
 12 mm - L 23 mm**

Product reference:  
 M6T12L23