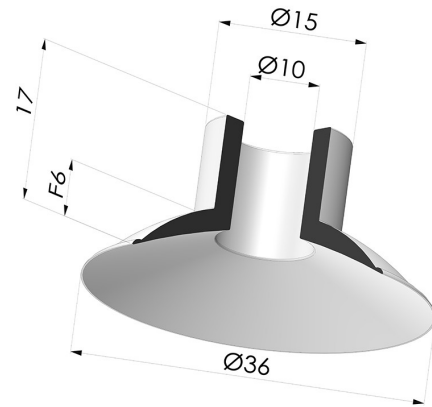


TECHNICAL INFORMATION

Arrow :	6mm
Category :	Plates
Contact lip diameter :	36 mm
Height (in mm) :	17
Horizontal force :	46.26 N
inner barrel diameter :	10 mm
Number of bellows :	0.5 Bellows
Range :	Suction cup
Series :	5
Shape :	Plate
Vertical force :	23.13 N



Variants:



Variant reference:
5 36CN A

- Color: Brown FDA food certified
- Matter: Natural rubber
- Shore Hardness: SH40



Variant reference:
5 36SLT A

- Color: Translucent
- CE food certified
- Matter: Silicone
- Shore Hardness: SH60



Variant reference:
5 36NI A

- Color: Black
- Matter: Nitrile
- Shore Hardness: SH50



Variant reference:
5 36SLB A

- Color: White
- FDA and CE food-grade certified
- Matter: Silicone
- Shore Hardness: SH40

Related products:



Separable Male Fitting G1/4"

Product reference: M14C17L32