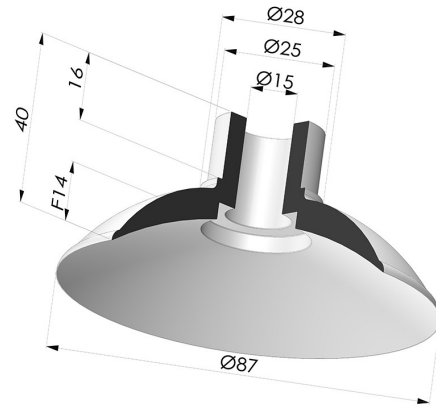


TECHNICAL INFORMATION

| | |
|--------------------------------|-------------|
| Arrow : | 14mm |
| Category : | Plates |
| Contact lip diameter : | 87 mm |
| Height (in mm) : | 40 |
| Horizontal force : | 270 N |
| inner barrel diameter : | 15 mm |
| Number of bellows : | 0.5 Bellows |
| Range : | Suction cup |
| Series : | 5 |
| Shape : | Plate |
| Vertical force : | 135 N |



Variants:



Variant reference:
5 87CN A

- Color: Brown FDA food certified
- Matter: Natural rubber
- Shore Hardness: SH35



Variant reference:
5 87SLT A

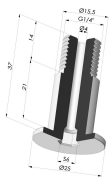
- Color: Translucent
- CE food certified
- Matter: Silicone
- Shore Hardness: SH60



Variant reference:
5 87NI A

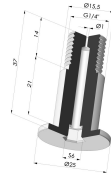
- Color: Black
- Matter: Nitrile
- Shore Hardness: SH50

Related products:



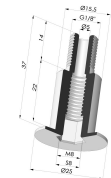
Screw G1/4" - Head Ø 25 mm - L 37 mm

Product reference: M14T25L37



Screw G1/4" - Head Ø 25 mm - L 37 mm

Product reference: M14T25L37 SPF 1



Screw G1/8" - Head Ø 25 mm - L 37 mm

Product reference: M18T25L37