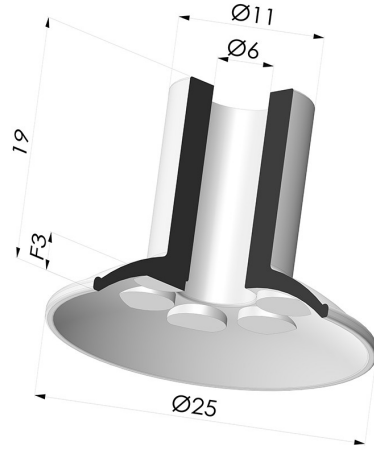


**TECHNICAL INFORMATION**

<b>Arrow :</b>	3 mm
<b>Category :</b>	Plates
<b>Contact lip diameter :</b>	25 mm
<b>Height (in mm) :</b>	19
<b>Horizontal force :</b>	22 N
<b>inner barrel diameter :</b>	6 mm
<b>Number of bellows :</b>	0.5 Bellows
<b>Range :</b>	Suction cup
<b>Series :</b>	7
<b>Shape :</b>	Plate
<b>Vertical force :</b>	11 N



**Variants:**



Variant reference:  
**7 26CN A**

- Color: Brown FDA food certified
- Matter: Natural rubber
- Shore Hardness: SH35



Variant reference:  
**7 26SLT A**

- Color: Translucent
- CE food certified
- Matter: Silicone
- Shore Hardness: SH60

**Related products:**



**Separable Female Fitting G1/8"**

Product reference: F18C12L22.5



**Separable Male Fitting G1/8"**

Product reference: M18C12L22.5