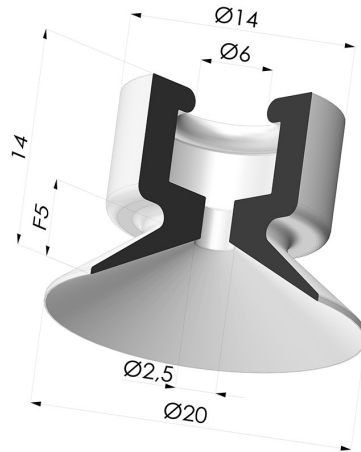


**TECHNICAL INFORMATION**

<b>Arrow :</b>	5 mm
<b>Category :</b>	Plates
<b>Contact lip diameter :</b>	20 mm
<b>Height (in mm) :</b>	14
<b>Horizontal force :</b>	14 N
<b>inner barrel diameter :</b>	6 mm
<b>Number of bellows :</b>	0.5 Bellows
<b>Range :</b>	Suction cup
<b>Series :</b>	7
<b>Shape :</b>	Plate
<b>Vertical force :</b>	7 N

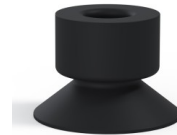


**Variants:**



Variant reference:  
**70A 20CN A**

- Color: Brown FDA food certified
- Matter: Natural rubber
- Shore Hardness: SH35



Variant reference:  
**70A 20NI A**

- Color: Black
- Matter: Nitrile