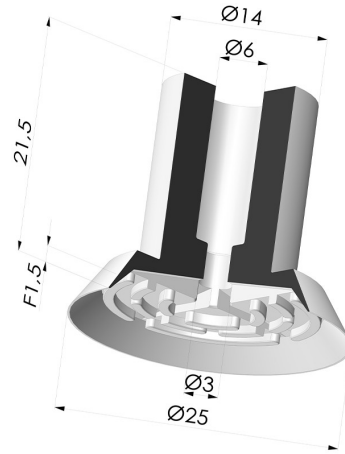


TECHNICAL INFORMATION

Arrow :	1.5 mm
Category :	Plates
Contact lip diameter :	25 mm
Height (in mm) :	21.5
Horizontal force :	22 N
inner barrel diameter :	6 mm
Number of bellows :	0.5 Bellows
Range :	Suction cup
Series :	7
Shape :	Plate
Vertical force :	11 N



Variants:



Variant reference:
70A 25CN A

- Color: Brown FDA food certified
- Matter: Natural rubber
- Shore Hardness: SH40



Variant reference:
70A 25NR A

- Color: Gray
- Matter: Natural rubber



Variant reference:
70A 25SLT A

- Color: Translucent
- CE food certified
- Matter: Silicone
- Shore Hardness: SH60



Variant reference:
70A 25SL A

- Color: Red food-grade CE certification
- Matter: Silicone
- Shore Hardness: SH60

Related products:



Separable Female Fitting G1/8"

Product reference: F18C12L22.5



Separable Male Fitting G1/8"

Product reference: M18C12L22.5



Separable Male Fitting M5

Product reference: M5C12