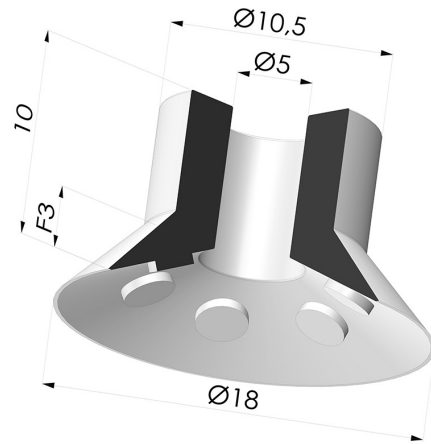


TECHNICAL INFORMATION

Arrow :	3 mm
Category :	Plates
Contact lip diameter :	18 mm
Height (in mm) :	10
Horizontal force :	11.5 N
inner barrel diameter :	5 mm
Number of bellows :	0.5 Bellows
Range :	Suction cup
Series :	7
Shape :	Plate
Vertical force :	6 N



Variants:



Variant reference:
71 18CN A

- Color: Brown FDA food certified
- Matter: Natural rubber
- Shore Hardness: SH40



Variant reference:
71 18NI A

- Color: Black
- Matter: Nitrile
- Shore Hardness: SH50



Variant reference:
71 18SLT A

- Color: Translucent
- CE food certified
- Matter: Silicone
- Shore Hardness: SH60

Related products:



Separable Male Fitting M5

Product reference: M5C10