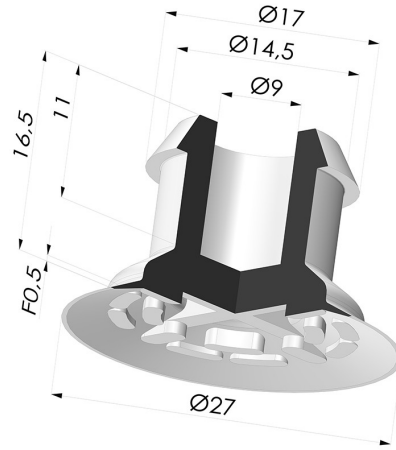


**TECHNICAL INFORMATION**

|                                |             |
|--------------------------------|-------------|
| <b>Arrow :</b>                 | 0.5 mm      |
| <b>Category :</b>              | Plates      |
| <b>Contact lip diameter :</b>  | 27 mm       |
| <b>Height (in mm) :</b>        | 16.5        |
| <b>Horizontal force :</b>      | 26 N        |
| <b>inner barrel diameter :</b> | 9 mm        |
| <b>Number of bellows :</b>     | 0.5 Bellows |
| <b>Range :</b>                 | Suction cup |
| <b>Series :</b>                | 7           |
| <b>Shape :</b>                 | Plate       |
| <b>Vertical force :</b>        | 13 N        |



**Variants:**



Variant reference:  
**71 27CN A**

- Color: Brown FDA food certified
- Matter: Natural rubber
- Shore Hardness: SH35



Variant reference:  
**71 27SLT A**

- Color: Translucent
- CE food certified
- Matter: Silicone
- Shore Hardness: SH60



Variant reference:  
**71 27SLDB A**

- Color: Blue food-grade CE certification
- Matter: Detectable silicone
- Shore Hardness: SH40

**Related products:**



**Separable Female Fitting G1/4"**

Product reference: DS



**Separable Male Fitting G1/4"**

Product reference: ES