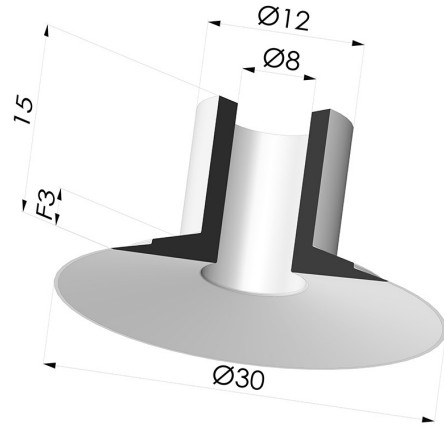


TECHNICAL INFORMATION

Arrow :	3 mm
Category :	Plates
Contact lip diameter :	30 mm
Height (in mm) :	15
Horizontal force :	32 N
inner barrel diameter :	8 mm
Number of bellows :	0.5 Bellows
Range :	Suction cup
Series :	7
Shape :	Plate
Vertical force :	11 N



Variants:



Variant reference:
71 30CN A

- Color: Brown FDA food certified
- Matter: Natural rubber
- Shore Hardness: SH40



Variant reference:
71 30NI A

- Color: Black
- Matter: Nitrile

Related products:



Separable Female Fitting G1/4"

Product reference: DS



Separable Male Fitting G1/4"

Product reference: ES