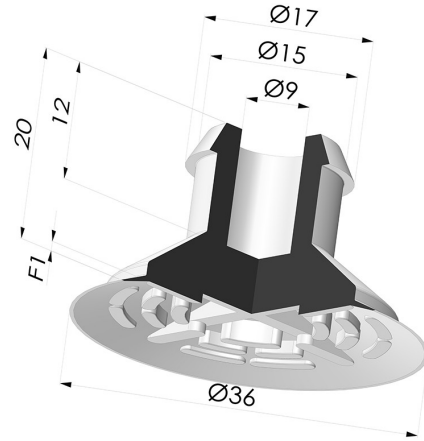


**TECHNICAL INFORMATION**

<b>Arrow :</b>	1 mm
<b>Category :</b>	Plates
<b>Contact lip diameter :</b>	36 mm
<b>Height (in mm) :</b>	20
<b>Horizontal force :</b>	46 N
<b>inner barrel diameter :</b>	9 mm
<b>Number of bellows :</b>	0.5 Bellows
<b>Range :</b>	Suction cup
<b>Series :</b>	7
<b>Shape :</b>	Plate
<b>Vertical force :</b>	23 N



**Variants:**



Variant reference:  
**71 36CN A**

- Color: Brown FDA food certified
- Matter: Natural rubber
- Shore Hardness: SH35



Variant reference:  
**71 36SLT A**

- Color: Translucent
- CE food certified
- Matter: Silicone
- Shore Hardness: SH60

**Related products:**



**Separable Female Fitting G1/4"**

Product reference: DS



**Separable Male Fitting G1/4"**

Product reference: ES