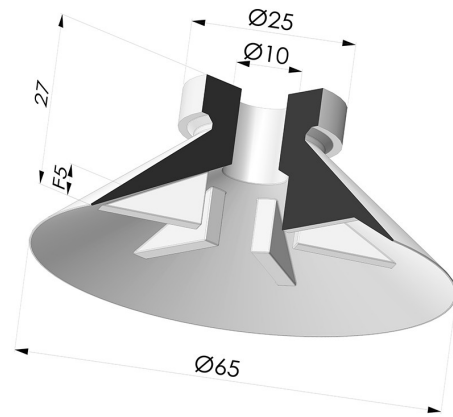


TECHNICAL INFORMATION

Arrow :	5 mm
Category :	Plates
Contact lip diameter :	65 mm
Height (in mm) :	27
Horizontal force :	150 N
inner barrel diameter :	10 mm
Number of bellows :	0.5 Bellows
Range :	Suction cup
Series :	7
Shape :	Plate
Vertical force :	75 N



Variants:



Variant reference:
71 65CN A

- Color: Brown FDA food certified
- Matter: Natural rubber



Variant reference:
71 65NI A

- Color: Black
- Matter: Nitrile



Variant reference:
71 65SLT A

- Color: Translucent
- CE food certified
- Matter: Silicone