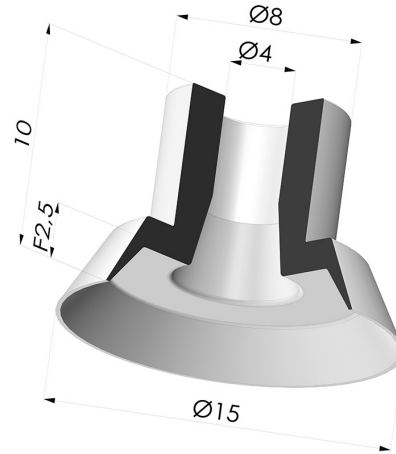


**TECHNICAL INFORMATION**

<b>Arrow :</b>	2.5 mm
<b>Category :</b>	Plates
<b>Contact lip diameter :</b>	15 mm
<b>Height (in mm) :</b>	10
<b>Horizontal force :</b>	8 N
<b>inner barrel diameter :</b>	4 mm
<b>Number of bellows :</b>	0.5 Bellows
<b>Range :</b>	Suction cup
<b>Series :</b>	7
<b>Shape :</b>	Plate
<b>Vertical force :</b>	4 N



**Variants:**



Variant reference:  
**75 15CN A**

- Color: Brown FDA food certified
- Matter: Natural rubber
- Shore Hardness: SH35



Variant reference:  
**75 15SL A**

- Color: Red food-grade CE certification
- Matter: Silicone
- Shore Hardness: SH60



Variant reference:  
**75 15SLT A SH40**

- Color: Translucent
- CE food certified
- Matter: Silicone
- Shore Hardness: SH40

**Related products:**



**Separable Male Fitting M5**

Product reference: M5C8L13