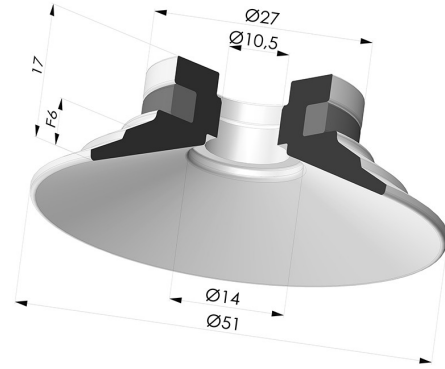


TECHNICAL INFORMATION

Arrow :	6 mm
Category :	Plates
Contact lip diameter :	51 mm
Height (in mm) :	17
Horizontal force :	88 N
inner barrel diameter :	10.5 mm
Number of bellows :	0.5 Bellows
Range :	Suction cup
Series :	9
Shape :	Plate
Vertical force :	44 N



Variants:



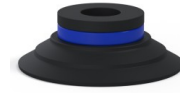
Variant reference:
9 50SL A

- Color: Red food-grade CE certification
 - Matter: Silicone
 - Shore Hardness: SH60



Variant reference:
9 50SLT A

- Color: Translucent
 - CE food certified
 - Matter: Silicone
- Shore Hardness: SH60



Variant reference:
9 50NI A

- Color: Black
 - Matter: Nitrile
- Shore Hardness: SH50

Related products:

Flat Suction Cup Series 9, Ø 50 mm
Product reference: 9 50-- 18

Flat Suction Cup Series 9, Ø 50 mm
Product reference: 9 50-- 14D-2

Flat Suction Cup Series 9, Ø 50 mm
Product reference: 9 50-- 14D-2-F

Flat Suction Cup Series 9, Ø 50 mm
Product reference: 9 50-- 14D-2-GIC

Flat Suction Cup Series 9, Ø 50 mm
Product reference: 9 50-- 14D-2-PAL

Flat Suction Cup Series 9, Ø 50 mm
Product reference: 9 50-- 18D-2

Flat Suction Cup Series 9, Ø 50 mm
Product reference: 9 50-- 18D-2-F

Flat Suction Cup Series 9, Ø 50 mm
Product reference: 9 50-- 18D-2-GIC

Flat Suction Cup Series 9, Ø 50 mm
Product reference: 9 50-- 18D-2-PAL

Flat Suction Cup Series 9, Ø 50 mm
Product reference: 9 50-- 18D-3-BD

Flat Suction Cup Series 9, Ø 50 mm
Product reference: 9 50-- 38D-2

Flat Suction Cup Series 9, Ø 50 mm
Product reference: 9 50-- 38D-2-F

Flat Suction Cup Series 9, Ø 50 mm
Product reference: 9 50-- 38D-2-GIC

Flat Suction Cup Series 9, Ø 50 mm
Product reference: 9 50-- 38D-2-PAL