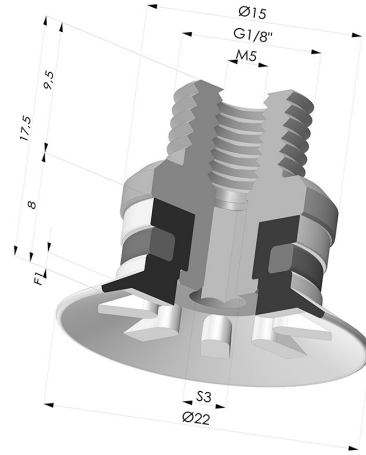


**TECHNICAL INFORMATION**

|                                |             |
|--------------------------------|-------------|
| <b>Arrow :</b>                 | 1 mm        |
| <b>Category :</b>              | Plates      |
| <b>Contact lip diameter :</b>  | 22 mm       |
| <b>Height (in mm) :</b>        | 17.5        |
| <b>Horizontal force :</b>      | 16 N        |
| <b>inner barrel diameter :</b> | Male G1/8"  |
| <b>Number of bellows :</b>     | 0.5 Bellows |
| <b>Range :</b>                 | Suction cup |
| <b>Series :</b>                | 90          |
| <b>Shape :</b>                 | Plate       |
| <b>Vertical force :</b>        | 8 N         |



**Variants:**



Variant reference:

**90 20SLT M18D**

- Color: Translucent
- CE food certified
- Matter: Silicone
- Shore Hardness: SH60

**Related products:**

**Flat Suction Cup Series 90, Ø 20 mm**  
 Product reference: 90 20-- A

**Separable Male Fitting G1/8"**  
 Product reference: 9P18