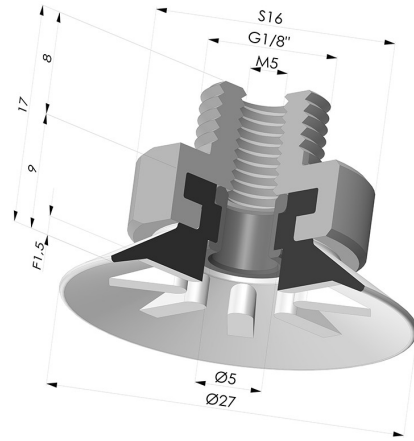


TECHNICAL INFORMATION

Arrow :	1.5 mm
Category :	Plates
Contact lip diameter :	27
Height (in mm) :	17
Horizontal force :	24 N
inner barrel diameter :	M5
Number of bellows :	0.5 Bellows
Range :	Suction cup
Series :	90
Shape :	Plate
Vertical force :	12 N



Variants:



- Variant reference:
90 25SLT M18
- Color: Translucent
 - CE food certified
 - Matter: Silicone
 - Shore Hardness: SH60



- Variant reference:
90 25NI M18
- Color: Black
 - Matter: Nitrile
 - Shore Hardness: SH50



- Variant reference:
90 25PU M18
- Color: Blue
 - Matter: PU
 - Shore Hardness: SH60

Related products:

Flat Suction Cup Series 90, Ø 25 mm
 Product reference: 90 25-- A

Crimped Male Fitting 1/8G
 Product reference: 9P18A

Rivet for Fitting 9P18A - Aluminium
 Product reference: 9P18A RIV