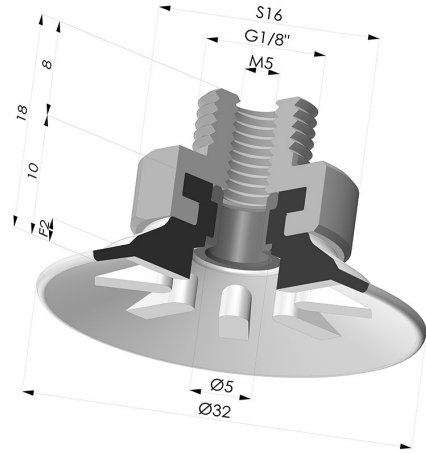


TECHNICAL INFORMATION

Arrow :	2 mm
Category :	Plates
Contact lip diameter :	32
Height (in mm) :	18
Horizontal force :	33 N
inner barrel diameter :	M5
Number of bellows :	0.5 Bellows
Range :	Suction cup
Series :	90
Shape :	Plate
Vertical force :	17 N



Variants:



Variant reference:
90 30PU M18

- Color: Blue
- Matter: Polyurethane
- Shore Hardness: SH60



Variant reference:
90 30SL M18

- Color: Red food-grade CE certification
- Matter: Silicone
- Shore Hardness: SH60



Variant reference:
90 30SLT M18

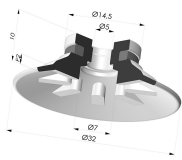
- Color: Translucent
- CE food certified
- Matter: Silicone
- Shore Hardness: SH60



Variant reference:
90 30NI M18

- Color: Black
- Matter: Nitrile
- Shore Hardness: SH50

Related products:



Flat Suction Cup Series 90, Ø 30 mm

Product reference: 90 30-- A



Crimped Male Fitting 1/8G

Product reference: 9P18A



Rivet for Fitting 9P18A - Aluminium

Product reference: 9P18A RIV