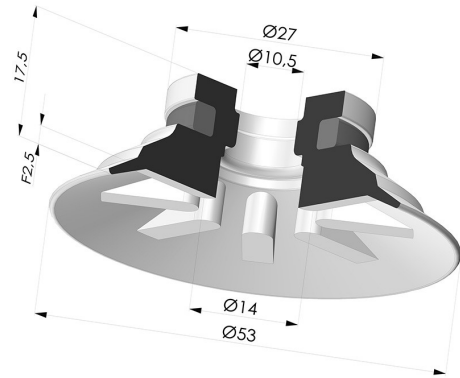


TECHNICAL INFORMATION

- Arrow :** 2.5 mm
Category : Plates
Contact lip diameter : 53
Height (in mm) : 17.5
Horizontal force : 96 N
inner barrel diameter : 10.5
Number of bellows : 0.5 Bellows
Range : Suction cup
Series : 90
Shape : Plate
Vertical force : 48 N



Variants:



Variant reference:
90 50TPU A

- Color: Translucent
- Matter: Thermoplastic
- Shore Hardness: SH60



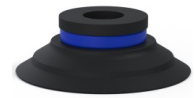
Variant reference:
90 50SL A

- Color: Red food-grade CE certification
- Matter: Silicone
- Shore Hardness: SH60



Variant reference:
90 50SLT A

- Color: Translucent
- CE food certified
- Matter: Silicone
- Shore Hardness: SH60



Variant reference:
90 50NI A

- Color: Black
- Matter: Nitrile
- Shore Hardness: SH50

