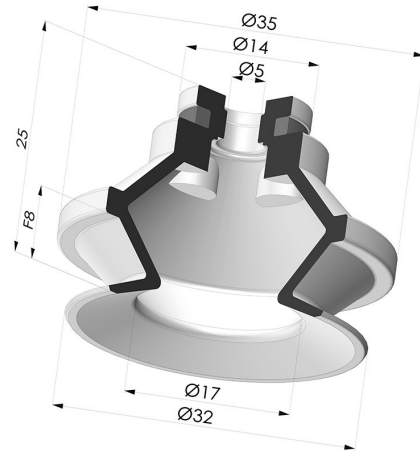


**TECHNICAL INFORMATION**

- Arrow :** 8 mm  
**Category :** With bellows  
**Contact lip diameter :** 31.8 mm  
**Height (in mm) :** 25  
**Horizontal force :** 31 N  
**inner barrel diameter :** 5mm  
**Number of bellows :** 1.5 Bellows  
**Range :** Suction cup  
**Series :** 91  
**Shape :** 1.5 Bellows  
**Vertical force :** 15.5 N



**Variants:**



Variant reference:  
**91 30SL A**

- Color: Red food-grade CE certification
- Matter: Silicone
- Shore Hardness: SH60



Variant reference:  
**91 30SLT A**

- Color: Translucent
- CE food certified
- Matter: Silicone
- Shore Hardness: SH60



Variant reference:  
**91 30TPU A**

- Color: Translucent
- Matter: Thermoplastic
- Shore Hardness: SH60



Variant reference:  
**91 30NI A**

- Color: Black
- Matter: Nitrile
- Shore Hardness: SH50

**Related products:**

**Bellows Suction Cup 1.5 folds Series 91, Ø 30 mm**  
 Product reference: 91 30-- 18

**Bellows Suction Cup 1.5 folds Series 91, Ø 30 mm**  
 Product reference: 91 30-- FM5

**Bellows Suction Cup 1.5 folds Series 91, Ø 30 mm**  
 Product reference: 91 30-- FM5BD

**Bellows Suction Cup 1.5 folds Series 91, Ø 30 mm**  
 Product reference: 91 30-- FM5F

**Bellows Suction Cup 1.5 folds Series 91, Ø 30 mm**  
 Product reference: 91 30-- FM5GIC