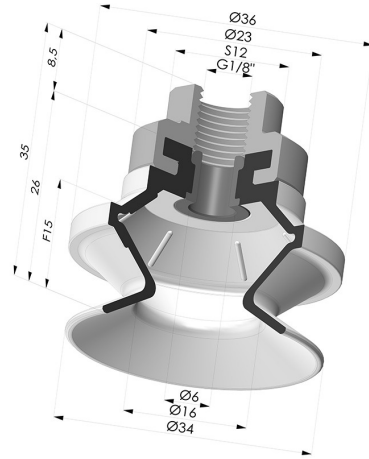


TECHNICAL INFORMATION

Arrow :	15 mm
Category :	With bellows
Contact lip diameter :	34 mm
Height (in mm) :	31
Horizontal force :	38 N
inner barrel diameter :	Female G1/8"
Number of bellows :	1.5 Bellows
Range :	Suction cup
Series :	91
Shape :	1.5 Bellows
Vertical force :	19 N



Variants:



Variant reference:
91 31SL F18

- Color: Red food-grade CE certification
- Matter: Silicone
- Shore Hardness: SH60



Variant reference:
91 31NI F18

- Color: Black
- Matter: Nitrile
- Shore Hardness: SH50



Variant reference:
91 31MNT F18

- Color: Bordeaux
- Matter: Non-staining material
- Shore Hardness: SH60



Variant reference:
91 31PU F18

- Color: Blue
- Matter: Polyurethane
- Shore Hardness: SH60



Variant reference:
91 31NR F18

- Color: Gray
- Matter: Natural rubber
- Shore Hardness: SH50



Variant reference:
91 31SLT F18

- Color: Translucent
- CE food certified
- Matter: Silicone
- Shore Hardness: SH60



Variant reference:
91 31SLT F18

- Color: Translucent
- CE food certified
- Matter: Silicone
- Shore Hardness: SH40



Variant reference:
91 31TPU F18

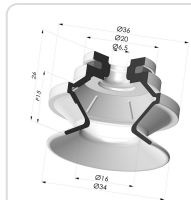
- Color: Translucent
- Matter: Thermoplastic
- Shore Hardness: SH70



Variant reference:
91 31SLDB F18

- Color: Blue food-grade CE certification
- Matter: Detectable silicone
- Shore Hardness: SH60

Related products:



Bellows Suction Cup 1.5 folds Series 91, Ø 35 mm

Product reference: 91 31-- A



Crimped Female Fitting 1/8G

Product reference: 9M18A



Rivet for Fitting 9M18A - Aluminium

Product reference: 9M18A RIV