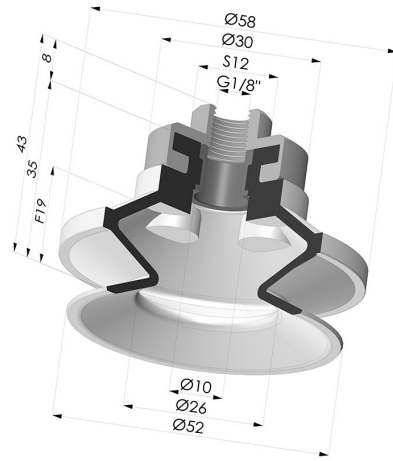


**TECHNICAL INFORMATION**

<b>Arrow :</b>	19 mm
<b>Category :</b>	With bellows
<b>Contact lip diameter :</b>	50 mm
<b>Height (in mm) :</b>	43
<b>Horizontal force :</b>	82 N
<b>inner barrel diameter :</b>	Female G1/8"
<b>Number of bellows :</b>	1.5 Bellows
<b>Range :</b>	Suction cup
<b>Series :</b>	91
<b>Shape :</b>	1.5 Bellows
<b>Vertical force :</b>	41 N



**Variants:**



Variant reference:

**91 50NI F18**

- Color: Black
- Matter: Nitrile
- Shore Hardness: SH50



Variant reference:

**91 50SL F18**

- Color: Red food-grade CE certification
- Matter: Silicone
- Shore Hardness: SH60



Variant reference:

**91 50MNT 18**

- Color: Bordeaux
- Matter: Non-staining material
- Shore Hardness: SH60

**Related products:**

**Bellows Suction Cup 1.5 folds Series 91, Ø 50 mm**  
 Product reference: 91 50-- A

**Crimped Female Fitting 1/8G**  
 Product reference: 9G18A

**Rivet for Fitting 9G18A - Aluminium**  
 Product reference: 9G18A RIV