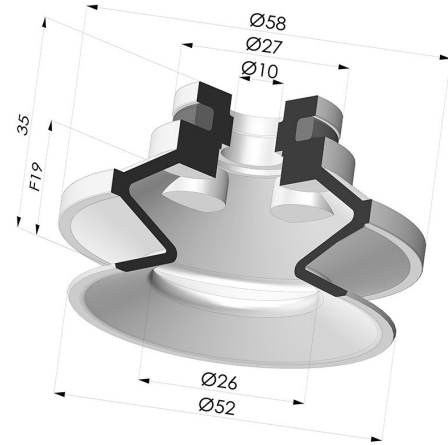


TECHNICAL INFORMATION

Arrow :	19 mm
Category :	With bellows
Contact lip diameter :	50 mm
Height (in mm) :	35
Horizontal force :	82 N
inner barrel diameter :	10
Number of bellows :	1.5 Bellows
Range :	Suction cup
Series :	91
Shape :	1.5 Bellows
Vertical force :	41 N



Variants:



Variant reference:

91 50NI A

- Color: Black
- Matter: Nitrile
- Shore Hardness: SH50



Variant reference:

91 50SL A

- Color: Red food-grade CE certification
- Matter: Silicone
- Shore Hardness: SH60



Variant reference:

91 50SLT A

- Color: Translucent
- CE food certified
- Matter: Silicone
- Shore Hardness: SH60



Variant reference:

91 50MNT A

- Color: Bordeaux
- Matter: Non-staining material
- Shore Hardness: SH60



Variant reference:

91 50TPU A

- Color: Translucent
- Matter: Thermoplastic
- Shore Hardness: SH70

Related products:



**Bellows Suction
Cup 1.5 folds Series
91, Ø 50 mm**
Product reference: 91
50-- 18



**Bellows Suction
Cup 1.5 folds Series
91, Ø 50 mm**
Product reference: 91
50-- 14D-2



**Bellows Suction
Cup 1.5 folds Series
91, Ø 50 mm**
Product reference: 91
50-- 14D-2-F



**Bellows Suction
Cup 1.5 folds Series
91, Ø 50 mm**
Product reference: 91
50-- 14D-2-GIC



**Bellows Suction
Cup 1.5 folds Series
91, Ø 50 mm**
Product reference: 91
50-- 18D-2



**Bellows Suction
Cup 1.5 folds Series
91, Ø 50 mm**
Product reference: 91
50-- 18D-2-F



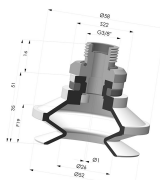
**Bellows Suction
Cup 1.5 folds Series
91, Ø 50 mm**
Product reference: 91
50-- 18D-2-GIC



**Bellows Suction
Cup 1.5 folds Series
91, Ø 50 mm**
Product reference: 91
50-- 18D-3-BD



**Bellows Suction
Cup 1.5 folds Series
91, Ø 50 mm**
Product reference: 91
50-- 38D-2



**Bellows Suction
Cup 1.5 folds Series
91, Ø 50 mm**
Product reference: 91
50-- 38D-2-F



**Bellows Suction
Cup 1.5 folds Series
91, Ø 50 mm**
Product reference: 91
50-- 38D-2-GIC